

ISO40 END MILL HOLDER

Item	Hole Dia.	Thread	Price
0534-0038	3/8"	5/8"-11	\$65.00/PC
0534-0012	1/2"	5/8"-11	\$65.00/PC
0534-0058	5/8"	5/8"-11	\$65.00/PC
0534-0034	3/4"	5/8"-11	\$65.00/PC
0534-0001	1"	5/8"-11	\$76.00/PC
0534-0114	1-1/4"	5/8"-11	\$76.00/PC



0534-0038

ISO40 SHELL MILL HOLDER

Item	Neck Dia.	Thread	Size of Arbors Screw		Price
			Dia.	Thread	
0535-0034	3/4"	5/8"-11	0.563"	3/8"-24UNF	\$98.00/PC
0535-0001	1"	5/8"-11	0.750"	1/2"-20UNF	\$105.00/PC
0535-0114	1-1/4"	5/8"-11	0.940"	5/8"-18UNF	\$112.00/PC



0535-0114

R8 SHANK ER COLLET CHUCK

- Features:
- Made of high grade tool steel
 - Hardened and precision ground
 - Max TIR 0.0002" O.D to I.D



0223-0240

Item	Shank	Type	Gage Length	Collet Nut Diameter	Drawbar End	Price
0223-0240	R8	ER40	2.83"	2.48"	7/16"-20	\$63.00/PC
0223-0232	R8	ER32	2.48"	1.97"	7/16"-20	\$69.00/PC

3/4" STRAIGHT SHANK ER16 COLLET CHUCK

- Features:
- Made of high quality alloy steel
 - Hardened to HRC 56-60
 - Precision ground
 - 0.0002" TIR or better



0223-0207

Item	Collet Series	Collet Capacity	Collet Nut Diameter (D)	Shank Diameter (C)	Shank Length (L1)	Oal (L)	Price
0223-0207	ER16	0.02"-0.393"	1.10"	3/4"	1.96"	3.35"	\$36.00/PC
0223-0208	ER16	0.02"-0.393"	1.10"	3/4"	3.94"	5.31"	\$36.00/PC
0223-0209	ER16	0.02"-0.393"	1.10"	3/4"	5.51"	6.89"	\$48.00/PC

R8 END MILL HOLDER

- Features:
- Hardened and ground
 - Made from high quality steel forging
 - Precision ground concentric
 - Ground shank and hole, heat treated for durable accuracy
 - 7/16-20" drawbar thread
 - For bridgeport type end mill

With R8 Shank



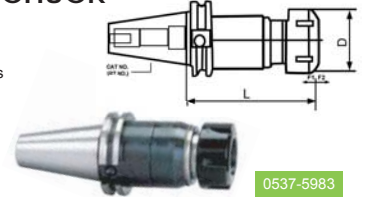
0222-0844

* for single-end mill only

Item	Hold Diameter	Price	Item	Hold Diameter	Price
0222-0840	1/4"	\$26.00/PC	0222-0845*	3/4"	\$38.00/PC
0222-0841	3/16"	\$26.00/PC	0222-0846*	7/8"	\$42.00/PC
0222-0842	3/8"	\$26.00/PC	0222-0847*	1"	\$48.00/PC
0222-0843	1/2"	\$26.00/PC	0222-0848*	1-1/4"	\$55.00/PC
0222-0844	5/8"	\$33.00/PC	0222-0849*	1-1/2"	\$63.00/PC

PREMIUM SERIES, BT40, CAT40 ER FLOATING TAP COLLET CHUCK

- Features:
- Ideal for holding taps and reamers for light duty tapping tasks
 - 0.197 compression and 0.315 extensive travels via adjustable internal springs
 - Using standard ER collet
 - All critical surfaces precision ground
 - Made from alloy steel hardened to 54-56 HRC
 - Rear thread for pull stud:
CAT40: 5/8"-11
BT40: M16 x 2



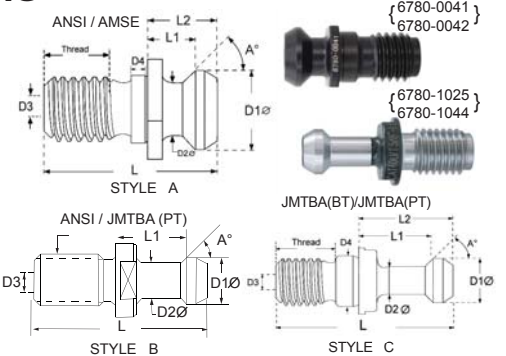
0537-5983

Item	Taper	Collet Series	D	L	Compression (F1)	Extension (F2)	Price
0537-5983	CAT40	ER16	1.10"	3.020"	0.197"	0.315"	\$136.00/PC
0537-5984	CAT40	ER20	1.34"	3.386"	0.197"	0.315"	\$136.00/PC
0537-5985	CAT40	ER32	1.65"	3.543"	0.197"	0.315"	\$136.00/PC
0537-6566	BT40	ER16	1.10"	3.031"	0.197"	0.315"	\$136.00/PC
0537-6577	BT40	ER32	1.65"	3.543"	0.197"	0.315"	\$136.00/PC

PULL STUD RETENTION KNOB FOR V-FLANGE CATERPILLAR TOOLING

- Made from alloy steel with heat treatment and hardened to HRC 58.
- Each retention knob is individually magnetic particle tested to protect against cracking.
- All mating surfaces precision ground.

Item	Style	A	D1	D2	D3	D4	L	L1	L2	Hole or Solid	Price
CAT40, 5/8-11" Thread											
6780-0041	A	45°	0.740"	0.490"	0.280"	0.636"	1.625"	0.440"	0.640"	Hole	\$14.00/PC
6780-0042	A	45°	0.740"	0.490"	N/A	0.636"	1.625"	0.440"	0.640"	Solid	\$14.00/PC
6780-1025	C	45°	0.589"	0.392"	N/A	0.636"	2.250"	0.988"	1.264"	Solid	\$14.00/PC
6780-1044	C	45°	0.589"	0.392"	0.200"	0.636"	2.250"	0.988"	1.264"	Hole	\$14.00/PC
CAT50, 1-8" Thread											
6780-0044	A	45°	1.140"	0.820"	0.468"	N/A	2.300"	0.700"	1.000"	Hole	\$18.00/PC
6780-0045	A	45°	1.140"	0.820"	N/A	N/A	2.300"	0.700"	1.000"	Solid	\$18.00/PC
6780-1055	B	45°	0.903"	0.668"	N/A	N/A	3.080"	1.384"	1.778"	Solid	\$18.00/PC
6780-1057	C	45°	0.903"	0.668"	0.390"	1.026"	3.355"	1.384"	1.778"	Hole	\$18.00/PC



Machine Builder	Taper	Item #	Machine Builder	Taper	Item #	Machine Builder	Taper	Item #
Daewoo	CAT40	6780-1025	Hurco	CAT40 Coolant	6780-0041	Okuma	CAT40	6780-0042
Daewoo	CAT50	6780-1055	Kia	CAT40	6780-1025	Okuma	CAT40 Coolant	6780-0041
Fadal	CAT40	6780-0042	Kitamura	CAT40	6780-1025	Roku-Roku	CAT40	6780-1025
Fadal	CAT40 Coolant	6780-0041	Mazak	CAT40	6780-0042	Sharp	CAT40	6780-1025
Fryer	CAT40	6780-1025	Mazak	CAT40 Coolant	6780-0041	Sharp	CAT40 Coolant	6780-1044
Fryer	CAT40 Coolant	6780-1044	Mazak	CAT50	6780-0045	Toshiba	CAT40	6780-1025
Fryer	CAT50 Coolant	6780-1057	Mazak	CAT50 Coolant	6780-0044	Toshiba	CAT50	6780-1055
Haas	CAT40	6780-1025	Miyano	CAT40	6780-1025	Toyoda	CAT40	6780-1025
Haas	CAT40 Coolant	6780-1044	Miyano	CAT40 Coolant	6780-1044	Toyoda	CAT50 Coolant	6780-1057
Haas	CAT50	6780-1055	OKK	CAT40	6780-1025	YCI	CAT40	6780-1025
Haas	CAT50 Coolant	6780-1057	OKK	CAT40 Coolant	6780-1044	YCI	CAT50	6780-1055
Hurco	CAT40	6780-0042	Okuma & Howa	CAT40	6780-1025	-	-	-